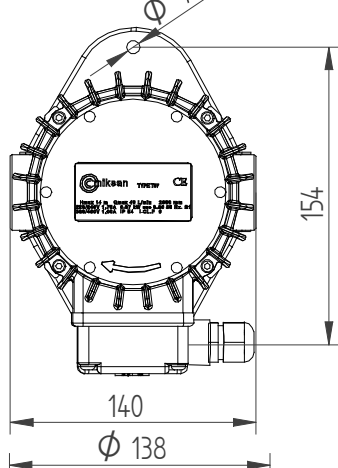
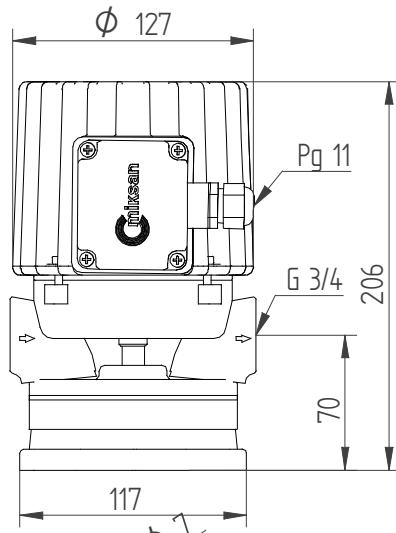
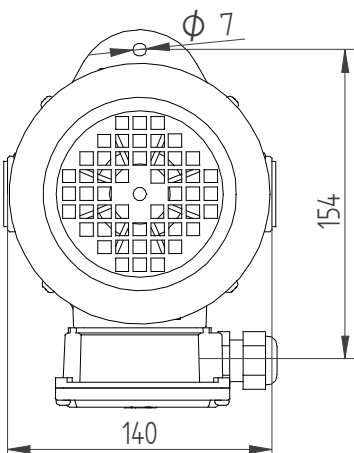
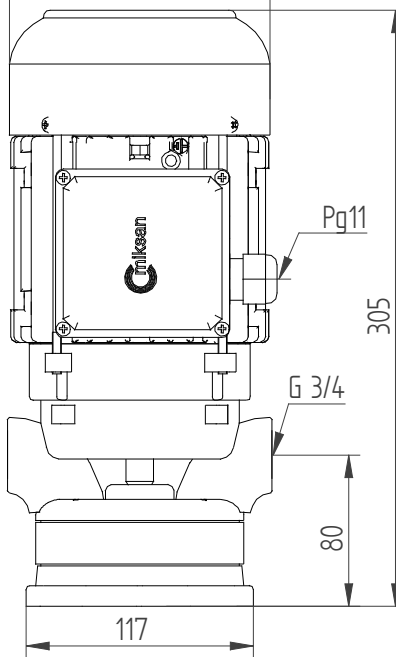
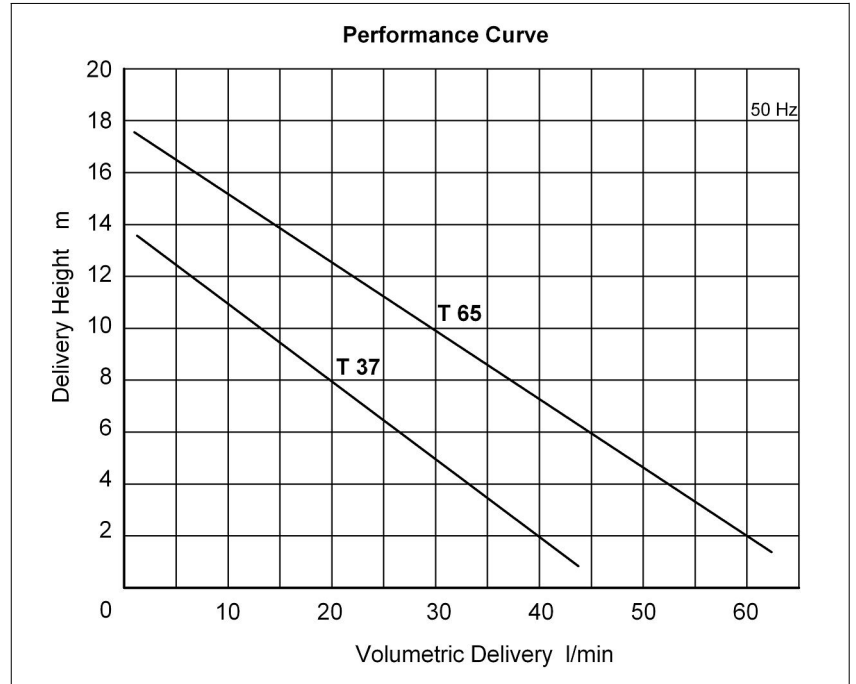


**T 37****T 65****DIMENSIONS AND NOMINAL VALUES**

TYPE	Volum. del. l/min	Pipe conn. G	Weight kg	Power kw	Voltage V(Δ/Y)	Frequency Hz	Rated current A	Revolu-tion rpm
T 37	40	G 3/4	7.2	0.37	230/400	50	1.9/1.1	2820
T 65	60		10	0.63			2.2/1.3	

Volumetric delivery \* is measured at 2m water height. (± % 10)



Kinematic viscosity: 90mm<sup>2</sup>/s

Operating Temperature Range : -50...+130 °C

**PROPERTIES:**

- T Pump series are designed for circulation of cutting and chemical fluids.
- They serve as cooling and lubrication units on machine tools and automatic sews, etc.
- The shaft of the T Pump is made of engineering steel.
- The main body and pump intake cover of standart T Pumps are cast iron.
- The impeller of the T Pumps is made of brass
- Standard T Pump has three-phase motor. On demand, they can be equipped with single-phase motor and other voltage, frequency.

**THE DIMENSIONS OF THE PUMPS**

CONFORMS TO EN 12157 SPECIFICATIONS.

Address: BOSB, Bakır Piriç Sanayicileri Sitesi

Menekşe Cad.No:1 - 34524 Beylikdüzü/ISTANBUL-TURKEY

Tel: 90 212 284 64 00

web: [www.miksanmotor.com](http://www.miksanmotor.com)

Fax: 90 212 279 55 67

e-mail: [info@miksanmotor.com](mailto:info@miksanmotor.com)