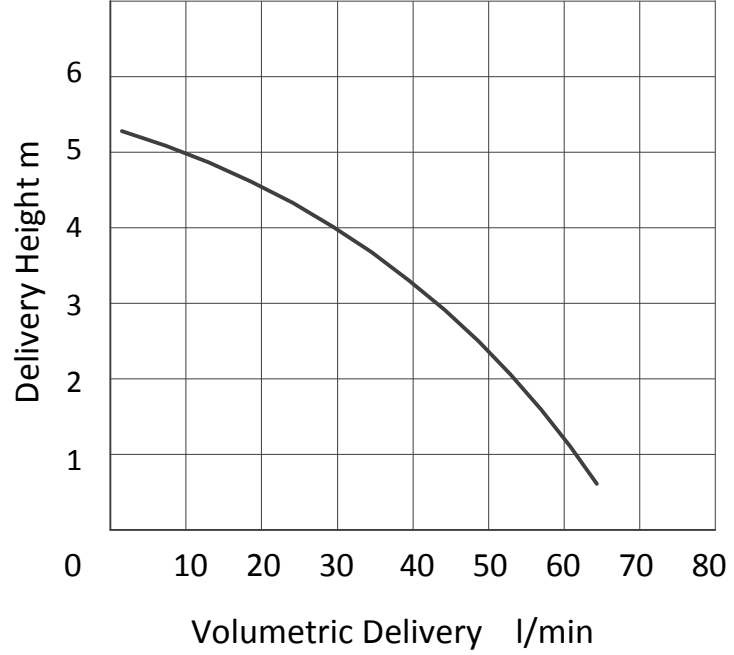


DIMENSIONS AND NOMINAL VALUES

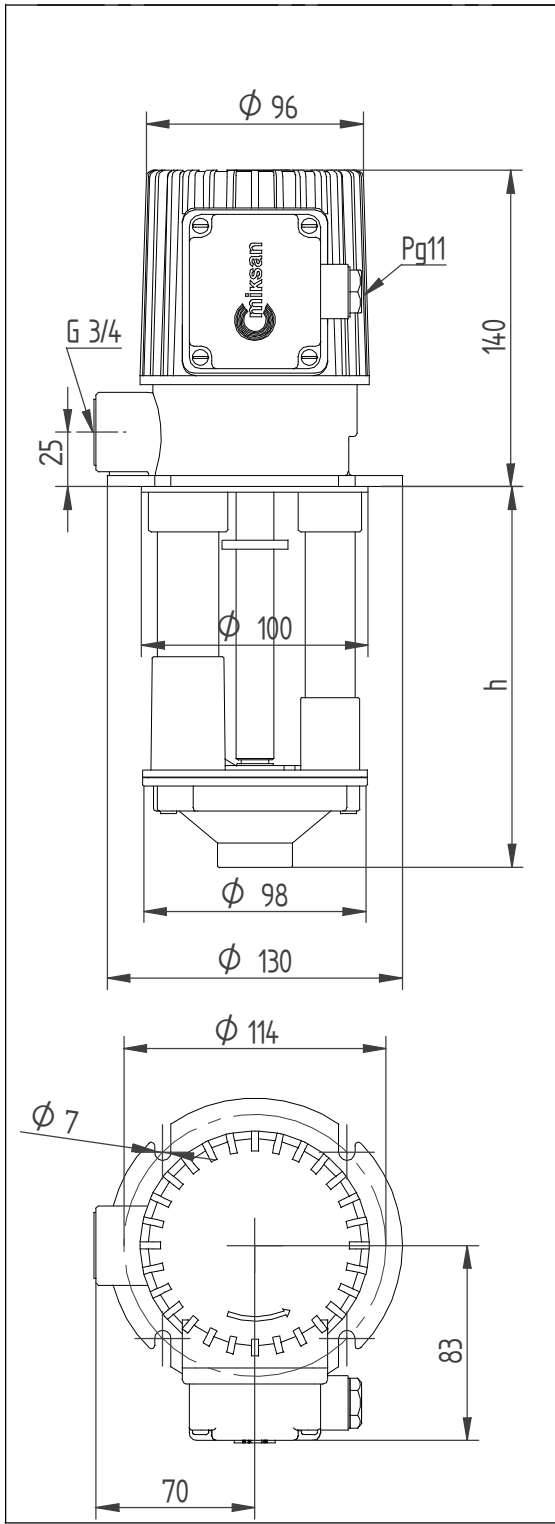
	Volum. del. (max)	Depth of immer.	Pipe conn.	Weight	Power	Voltage	Fre- quency	Rated current	Revo- lution
TYPE	l/min	h(mm)	G	kg	kw	V(ΔY)	Hz	A	rpm
BP 12	60*	120	G 3/4	3.9	0.09	230/400	50	0.48/0.28	2830
BP 17		170		4.0					
BP 22		220		4.3					
BP 27		270		4.5					
BP 35		350		5.0					

Volumetric delivery * is measured at 2m water height. (±%10)

Performance Curve



Kinematic viscosity : 90 mm²/s
Operating temperature : 0.....60 °C



PROPERTIES

- BP Pump series are designed for circulation of cutting and chemical fluids.
- They serve as cooling and lubrication units on machine tools and automatic sews , etc.
- The shaft of the BP is made of engineering steel. On demand, it can be equipped with stainless-steel.
- The main body, pump body, intake cover and impeller of BP pump are aluminium.
- Standart BP pump has a three-phase motor without cooling worm. On demand, it can be equipped with single-phase and other voltages and frequency.

DIMENSIONS OF THE PUMPS REFER TO STANDART SPECIFICATIONS EN 12157